





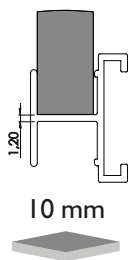


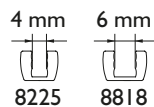
|  10 mm | Anzahl der Türen n / Quantity of doors n | n = 2 | n = 3 | n = 4 | n = 5 | n = 6 | n = 7 | n = 8 | |
|--|--|-----------------|-----------------|-----------------|-----------------|------------------|------------------|------------------|--|
| | Füllungshöhe hP [mm]/ Board height hP [mm] | hP = H-114 | | | | | | | |
| | Füllungsbreite bP [mm]/ Board width bP [mm] | $bP = (S+13)/2$ | $bP = (S+39)/3$ | $bP = (S+66)/4$ | $bP = (S+93)/5$ | $bP = (S+119)/6$ | $bP = (S+146)/7$ | $bP = (S+172)/8$ | |
| | Oberes, mittleres und unteres Querprofil R [mm] Upper, lower rail and connector length R [mm] | R = bP-23 | | | | | | | |
| | Länge Griffprofil LR [mm]/ Handle length LR [mm] | LR = H-53 | | | | | | | |
|  10 mm +  4/6 mm | Füllungshöhe hP [mm]/ Board height hP [mm] | hP = H-114 | | | | | | | |
| | Füllungsbreite bP [mm]/ Board width bP [mm] | $bP = (S+13)/2$ | $bP = (S+39)/3$ | $bP = (S+66)/4$ | $bP = (S+93)/5$ | $bP = (S+119)/6$ | $bP = (S+146)/7$ | $bP = (S+172)/8$ | |
| | Oberes, mittleres und unteres Querprofil R [mm] Upper, lower rail and connector length R [mm] | R = bP-23 | | | | | | | |
| | Glashöhe hL [mm]/ Mirror height hL [mm] | hL = H-117 | | | | | | | |
| | Glasbreite bL [mm]/ Mirror width bL [mm] | $bL = (S+7)/2$ | $bL = (S+30)/3$ | $bL = (S+54)/4$ | $bL = (S+78)/5$ | $bL = (S+101)/6$ | $bL = (S+125)/7$ | $bL = (S+148)/8$ | |
| | Oberes, mittleres und unteres Querprofil R [mm] Upper, lower rail and connector length R [mm] | R = bL-20 | | | | | | | |
| Länge Griffprofil LR [mm]/ Handle length LR [mm] | LR = H-53 | | | | | | | | |
|  8 mm | Füllungshöhe hP [mm]/ Board height hP [mm] | hP = H-114 | | | | | | | |
| | Füllungsbreite bP [mm]/ Board width bP [mm] | $bP = (S+13)/2$ | $bP = (S+39)/3$ | $bP = (S+66)/4$ | $bP = (S+93)/5$ | $bP = (S+119)/6$ | $bP = (S+146)/7$ | $bP = (S+172)/8$ | |
| | Oberes, mittleres und unteres Querprofil R [mm] Upper, lower rail and connector length R [mm] | R = bP-23 | | | | | | | |
| | Länge Griffprofil LR [mm]/ Handle length LR [mm] | LR = H-53 | | | | | | | |
|  10 mm +  4 mm | Füllungshöhe hP [mm]/ Board height hP [mm] | hP = H-114 | | | | | | | |
| | Füllungsbreite bP [mm]/ Board width bP [mm] | $bP = (S+13)/2$ | $bP = (S+39)/3$ | $bP = (S+66)/4$ | $bP = (S+93)/5$ | $bP = (S+119)/6$ | $bP = (S+146)/7$ | $bP = (S+172)/8$ | |
| | Oberes, mittleres und unteres Querprofil R [mm] Upper, lower rail and connector length R [mm] | R = bP-23 | | | | | | | |
| | Glashöhe hL [mm]/ Mirror height hL [mm] | hL = H-117 | | | | | | | |
| | Glasbreite bL [mm]/ Mirror width bL [mm] | $bL = (S+7)/2$ | $bL = (S+30)/3$ | $bL = (S+54)/4$ | $bL = (S+78)/5$ | $bL = (S+101)/6$ | $bL = (S+125)/7$ | $bL = (S+148)/8$ | |
| | Oberes, mittleres und unteres Querprofil R [mm] Upper, lower rail and connector length R [mm] | R = bL-23 | | | | | | | |
| | Länge Griffprofil LR [mm]/ Handle length LR [mm] | LR = H-53 | | | | | | | |



2.1

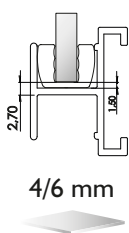


10 mm



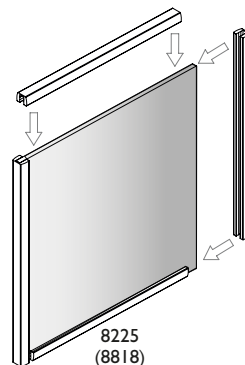
8225

8818

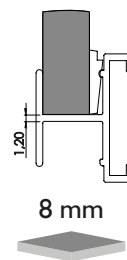


4/6 mm

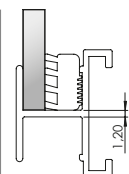
2.2

8225
(8818)

2.3

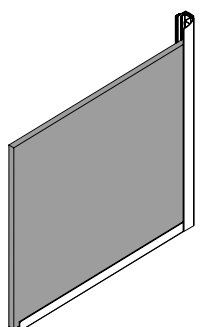


8 mm



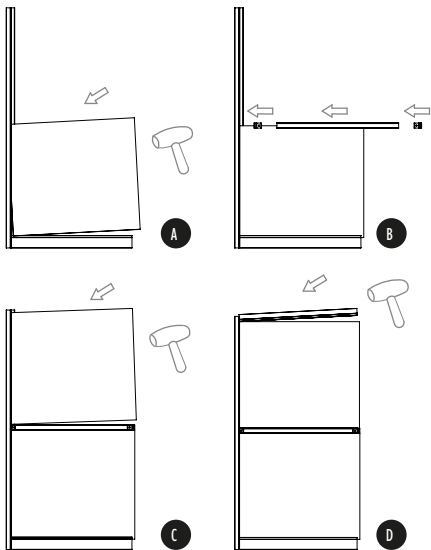
4 mm

2.4

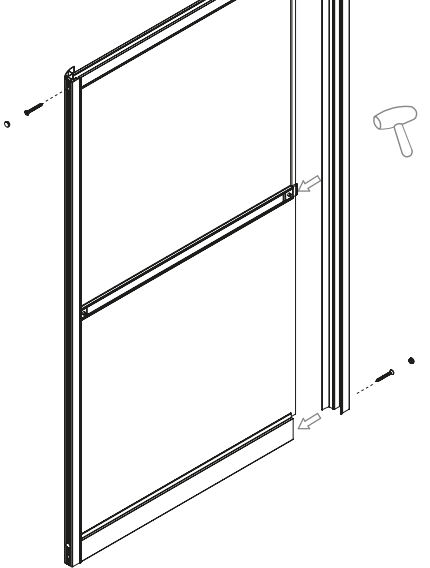




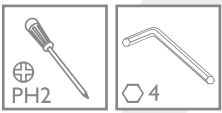
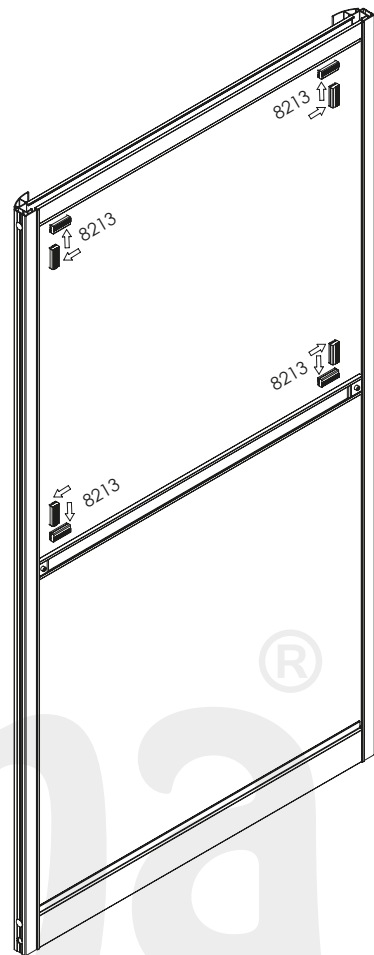
3



4

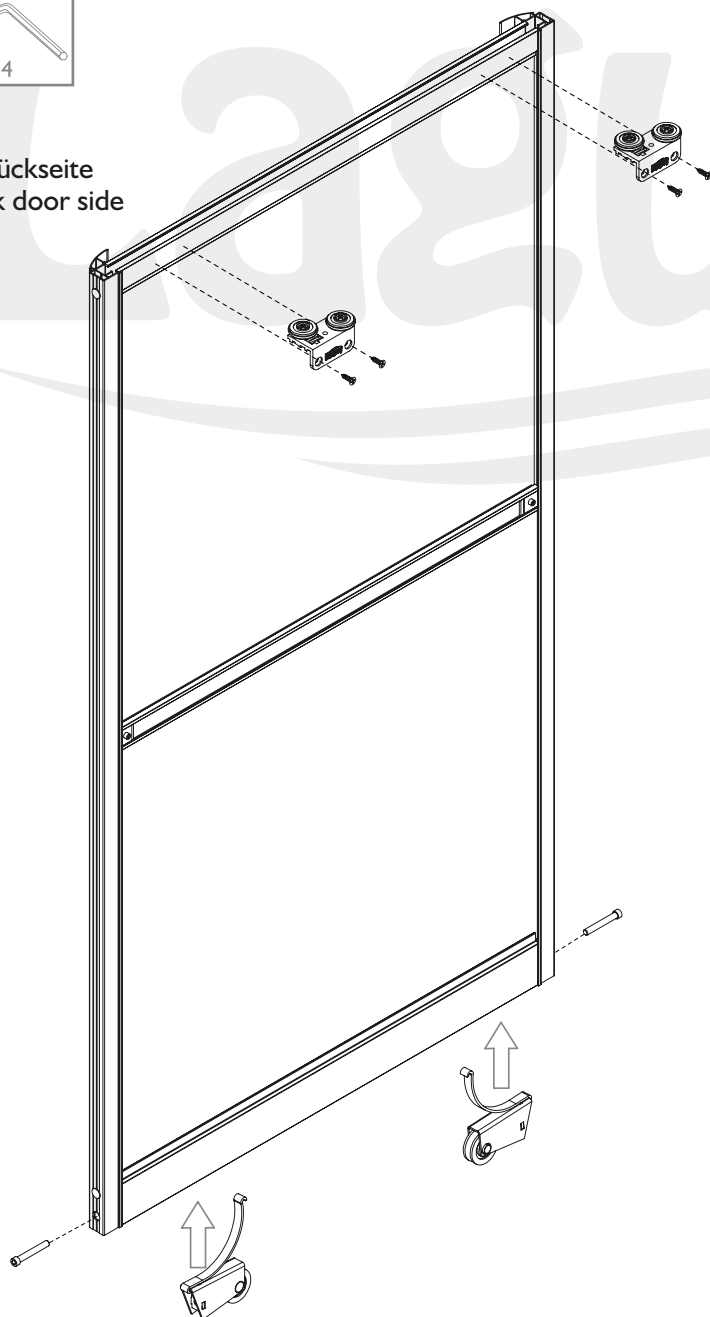


5.1

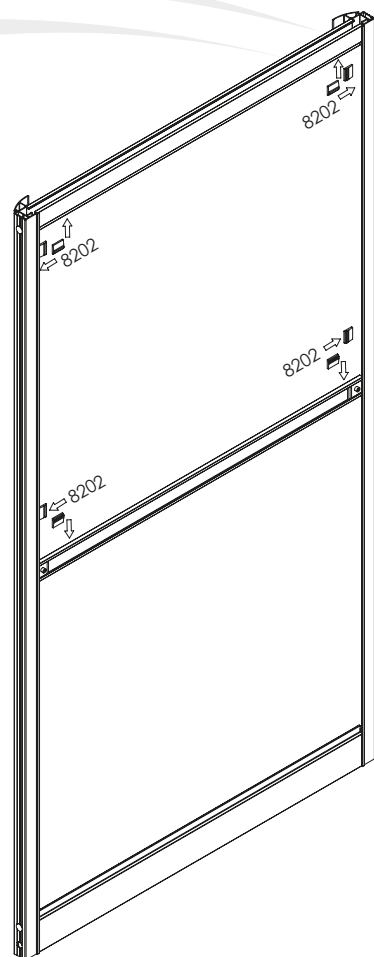


6

türrückseite
back door side

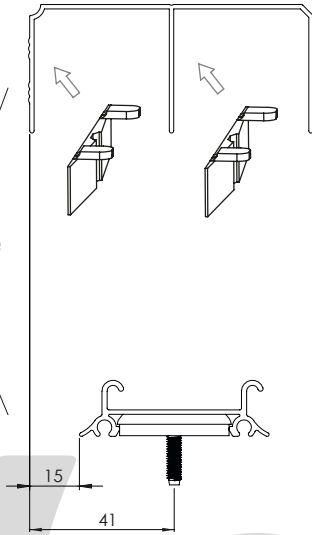


5.2

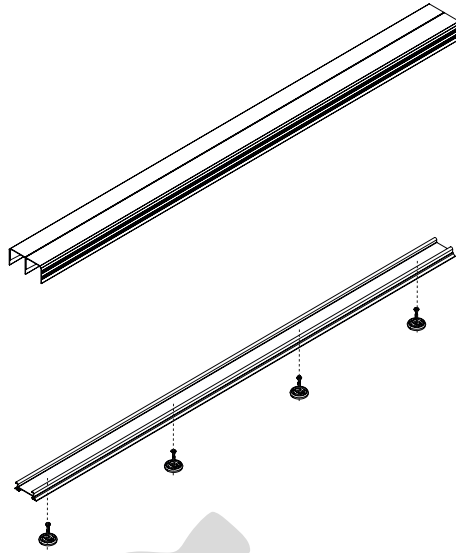




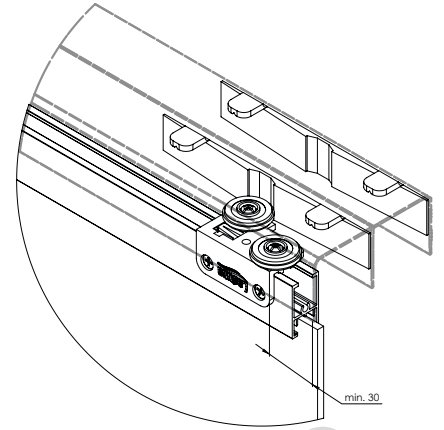
Vorderseite
Front side



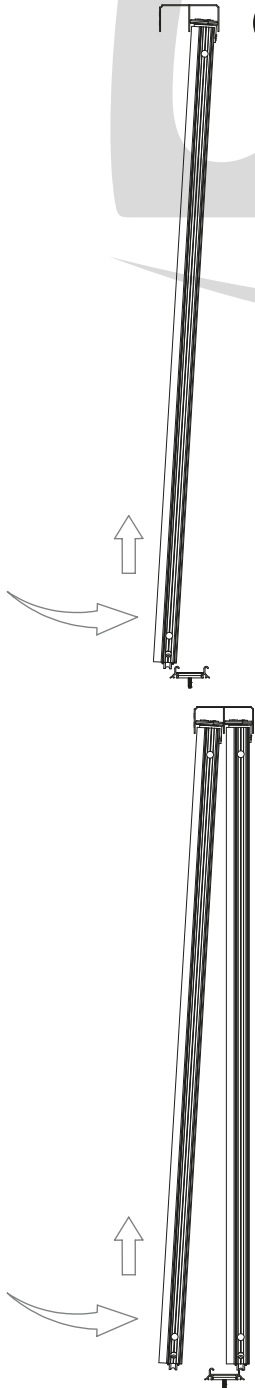
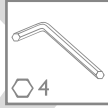
7



8



9



10

